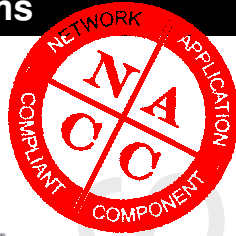
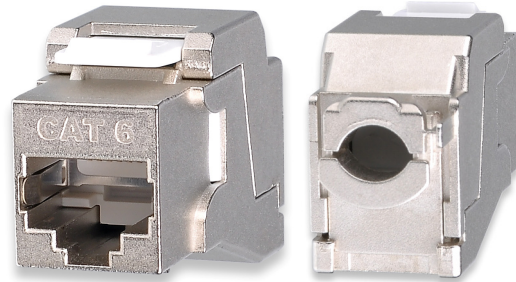


Category 6 Screened Toolless Keystone Jack

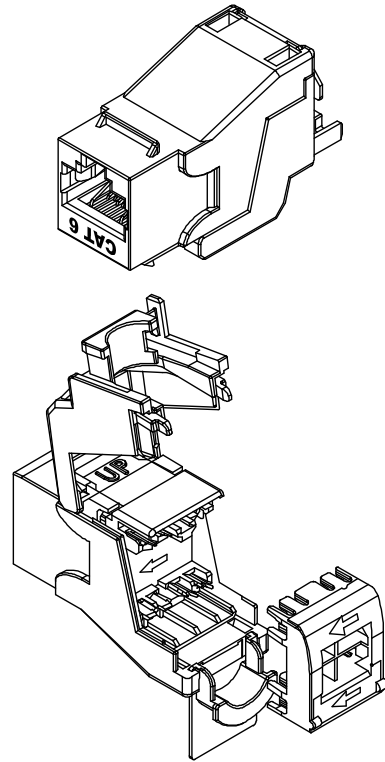
Signamax category 6 screened toolless keystone jack is designed to exceed TIA-568-C.2 performance specifications. Screened keystone jacks with an overall overlap solid shielding design are capable to guarantee 100-meter four-conductor channel performance in environments with elevated EMI levels.

Category 6 screened toolless keystone jack is compatible with Signamax keystone faceplates (1-, 2-, and 4-port) and snap-in patch panels (24-port 1-RMS and 48-port 2-RMS) providing flexibility in field installation and easy connection to the telecommunications bonding and grounding system.



KEY FEATURES

- Guaranteed to meet or exceed TIA-568-C.2 component performance
- Supports TIA-568-C.2 category 6 100-meter channel performance
- Multi-purpose keystone design – equally suitable as a work area outlet and a patch panel port
- High density – compatible with Signamax keystone faceplates and snap-in screened and unscreened patch panels
- Overall solid screening design
- Toolless – does not require standard or any other termination tools
- T568A and T568B wiring with an easy-to-read color-code wiring label for maximum flexibility
- 110-type contacts provide improved wire retention and ease of termination
- Contact design provides enhanced plug-to-jack connection integrity and protects against damage caused by insertion of 4- or 6-position plugs
- Rated for at least 750 plug insertions providing for the highest level of system reliability



ORDERING INFORMATION

Category 6 Screened Toolless Keystone Jack

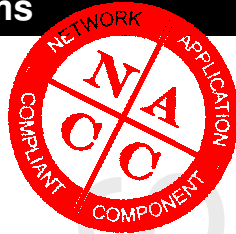
Part Number	Description
KJS458TL-C6C	Category 6 Screened Toolless Keystone Jack, T568 A/B

RELATED PRODUCTS

Product/Product Group	Spec Sheet #	
Category 6 Component-Level Patch Cords _____	PSS.C6P-CL-PC	(A-AUG-07)
Category 6 Channel-Level Patch Cords _____	PSS.C6-PC	(A-AUG-07)
Keystone Faceplates Adapters and Mounting Hardware _____	PSS.KFA-MH	(A-AUG-07)
Keystone Plastic Faceplates _____	PSS.KPF	(B-AUG-09)
Keystone Stainless Steel Faceplates _____	PSS.KSSF	(B-AUG-09)
Modular Furniture Keystone Adapters _____	PSS.MFKA	(A-AUG-07)
Keystone Surface Mount Multimedia Boxes _____	PSS.KSM-MMB	(A-SEP-08)
Unloaded High Density Multimedia Patch Panel _____	PSS.U-HD-MM-PP	(A-OCT-08)

SPECIFICATIONS

Category 6 Screened Toolless Keystone Jack



SPECIFICATIONS

TRANSMISSION PERFORMANCE

ANSI/TIA-568-C.2: exceeds category 6 (1–250 MHz) specifications

TRANSMISSION MEDIA

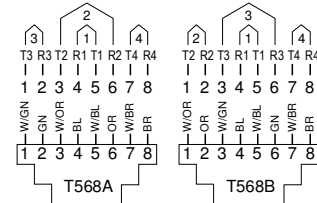
Unscreened (U/UTP) or screened twisted pair (U/STP, F/UTP, F/STP, S/UTP, S/STP, SF/UTP, SF/STP)

JACK TYPE

8p8c (8-position, 8-contact) "RJ45" style

WIRING SCHEME

ANSI/TIA-568-C.2: T568A & T568B
ISO/IEC 11801 2nd Ed.: 8-position pin/pair assignment (1-2/3-6/4-5/7-8)



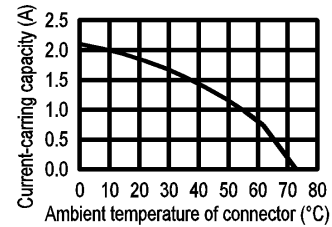
WIRING SCHEMES

WIRE GAUGE

22-24 AWG (0.644–0.511 mm)

ELECTRICAL

Insulation resistance: min 500 MOhm @ 100 V_{dc}
Dielectric withstanding voltage: 1,000 V_{dc/ac} peak contact-to-contact @ 60 Hz for 1 min
1,500 V_{dc/ac} peak contact-to-panel @ 60 Hz for 1 min
Spring wire contact resistance: max 20 mOhm
IDC contact resistance: max 2.5 mOhm
Current rating: see figure



CONSTRUCTION

Housing: zinc-alloy fully shielded
grounding post for 2.5 x 0.5-mm (0.110 x 0.020-in) female disconnect
Jack spring wire: phosphor bronze alloy plated with 50 µin of gold over 70–100 µin of nickel
IDC: 110 type, phosphor bronze alloy with 100-µin 100% tin (Sn) alloy

MECHANICAL

Total contact force: min 800 g for 8 wire leads
Retention force: 50 N (11 lbf) for 60 ± 5 s
Mating cycle life: min 750 cycles

FOOTPRINT

Standard keystone footprint

MOUNTING DIMENSIONS

D 42.40 mm H 25.80 mm W 14.60 mm
D 1.669 in H 1.016 in W 0.575 in

ENVIRONMENTAL CONDITIONS

Storage: -40 °C – +70 °C (-40 °F – +158 °F)
Operation: -10 °C – +60 °C (+14 °F – +140 °F)
RH (operation): max non-condensing 93 %

COMPLIANCE

ANSI/TIA-568-C.2, IEC 60603-7, FCC Part 68 Subpart F, UL 94V-0

APPLICATIONS

X.21, V.11, S0, ISDN, CSMA/CD 10BASE-T, 100BASE-TX, 100BASE-T4, 100BASE-T2, 1000BASE-T, 10GBASE-T (up to 55 m (82 ft)), TR 4/16/100, 100BASE-VG, ATM LAN 25/51/155, TP-PMD

WARRANTY

5-year limited component warranty
10-year Signamax Link/Channel Warranty
15-year Signamax Extended Component Warranty
25-year Signamax Cabling System Warranty

